

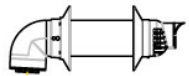

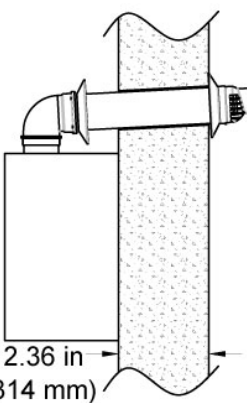
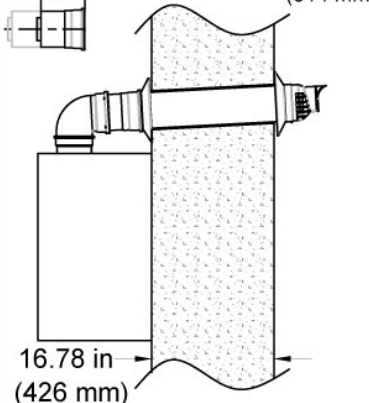
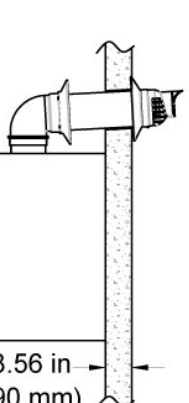
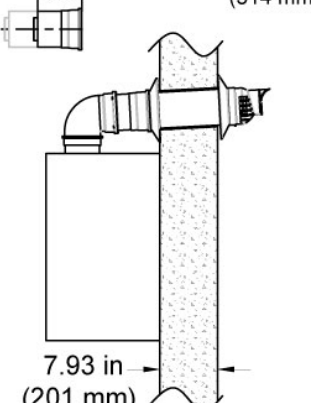
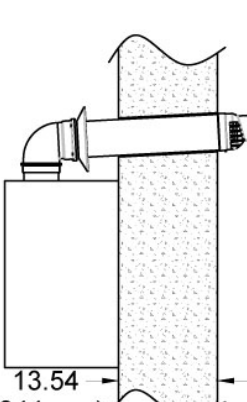
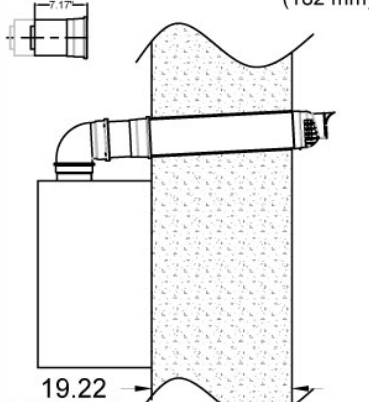
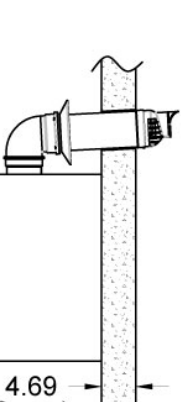
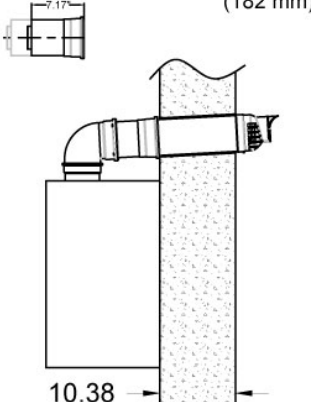


The table below shows the maximum wall thicknesses for various configurations of terminations, pipe extensions, and rubber wall plates.

21" CONDENSING WALL TERMINATION KIT  	21" CONDENSING WALL TERMINATION KIT 10" CONDENSING VENT PIPE EXTENSION  	12" CONDENSING WALL TERMINATION KIT  	12" CONDENSING WALL TERMINATION KIT 10" CONDENSING VENT PIPE EXTENSION  
WITH RUBBER WALL PLATES   12.36 in (314 mm)	WITH RUBBER WALL PLATES & EXTENSION CUT DOWN TO 6" (314 mm)  16.78 in (426 mm)	WITH RUBBER WALL PLATES   3.56 in (90 mm)	WITH RUBBER WALL PLATES & EXTENSION CUT DOWN TO 6" (314 mm)  7.93 in (201 mm)
NO RUBBER WALL PLATES   13.54 (344 mm)	NO RUBBER WALL PLATES & EXTENSION CUT DOWN TO 7.17" (182 mm)  19.22 (488 mm)	NO RUBBER WALL PLATES   4.69 (119 mm)	NO RUBBER WALL PLATES & EXTENSION CUT DOWN TO 7.17" (182 mm)  10.38 (264 mm)